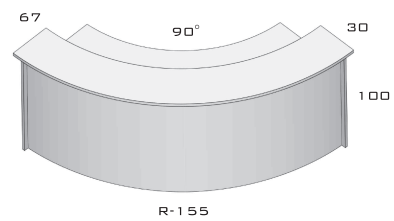
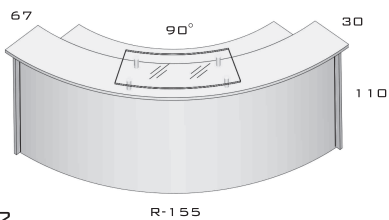


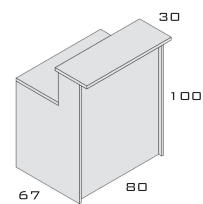
O P E N



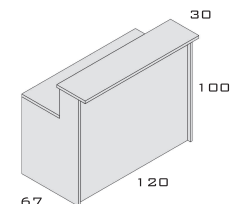
LO-01



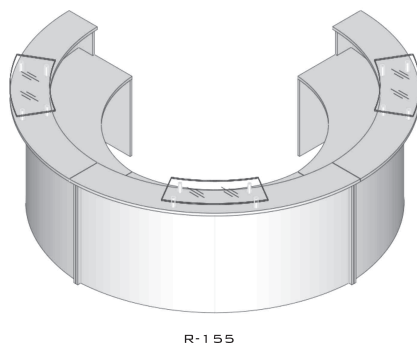
LO-02



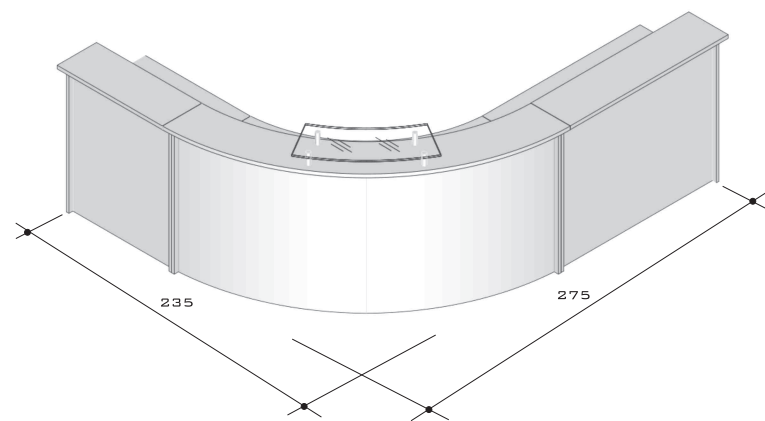
LO-03



LO-04



LO-02 X 3



LO-03 - LO-02 - LO-04

